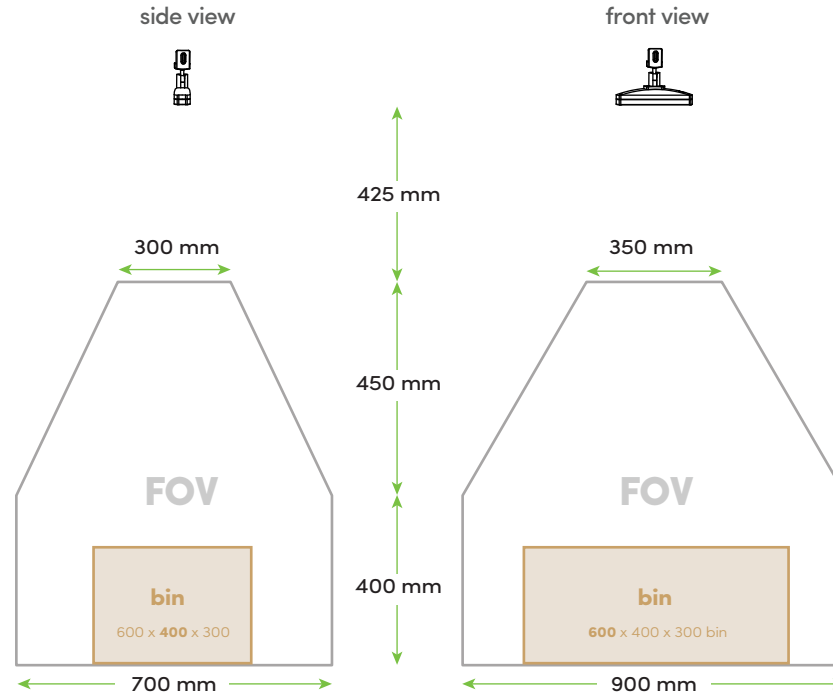
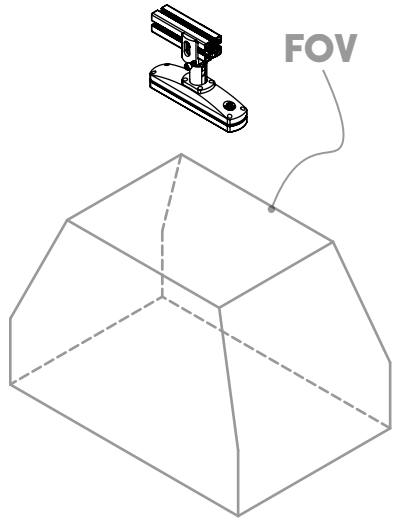


FIELD OF VIEW (FOV) Dimensions



To be visible for Pick-it, all parts or items of interest must be inside the **field of view (FOV)** of the 3D camera.

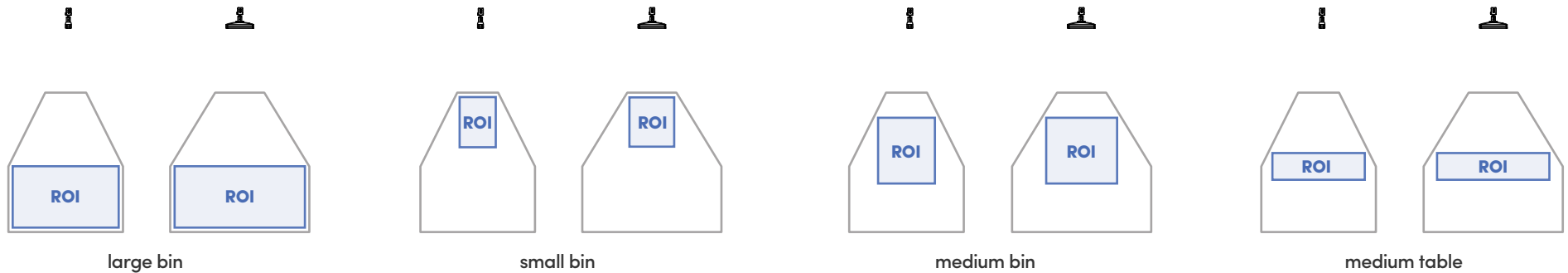
The **region of interest (ROI)** can be seen as a 'bounding box' that fits within the FOV of the 3D camera. This box defines where the actual application takes place. You can define this ROI in the Pick-it software.

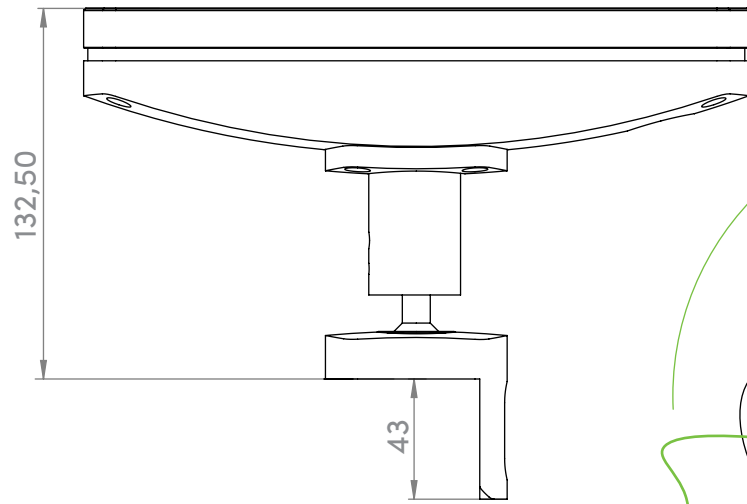
The possible dimensions of the ROI depend of the distance between the 3D camera and your ROI.

Bringing your application closer to the camera will improve image quality and shrink the potential ROI volume.

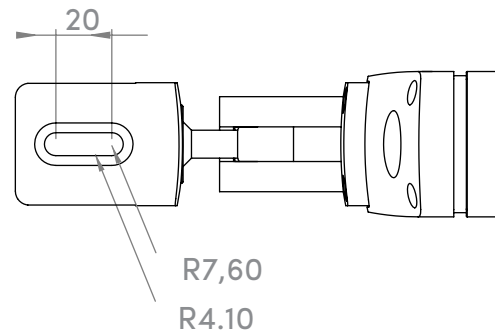
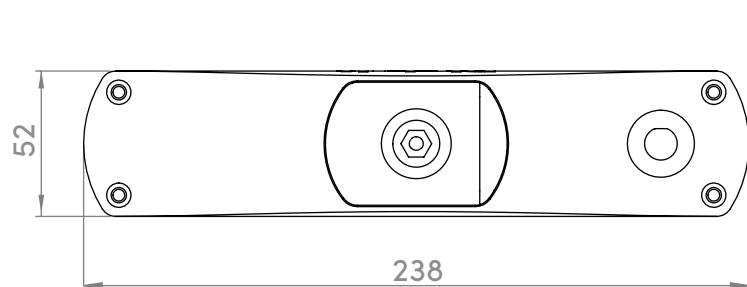
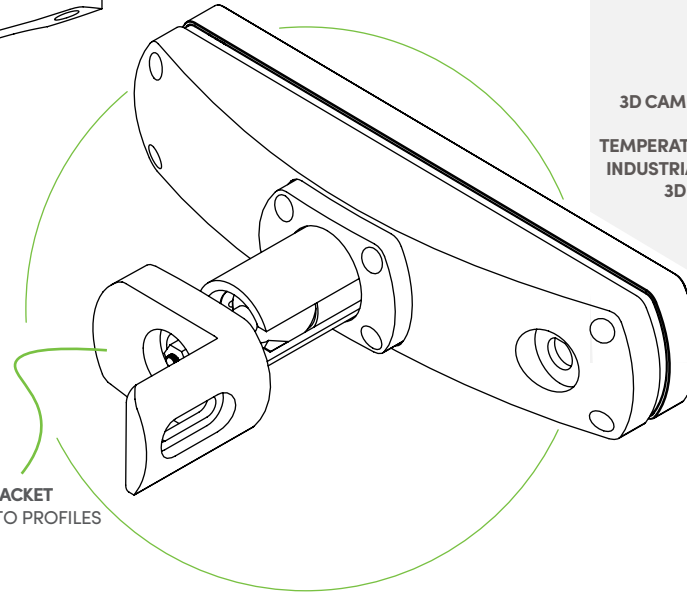
Bringing your application further from the camera will lower image quality and enlarge the potential ROI volume.

REGION OF INTEREST (ROI) Example applications





L-BRACKET
MOUNTS TO PROFILES

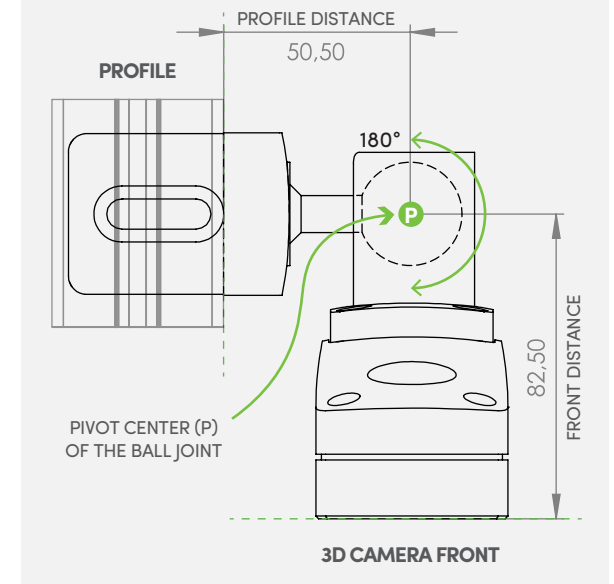


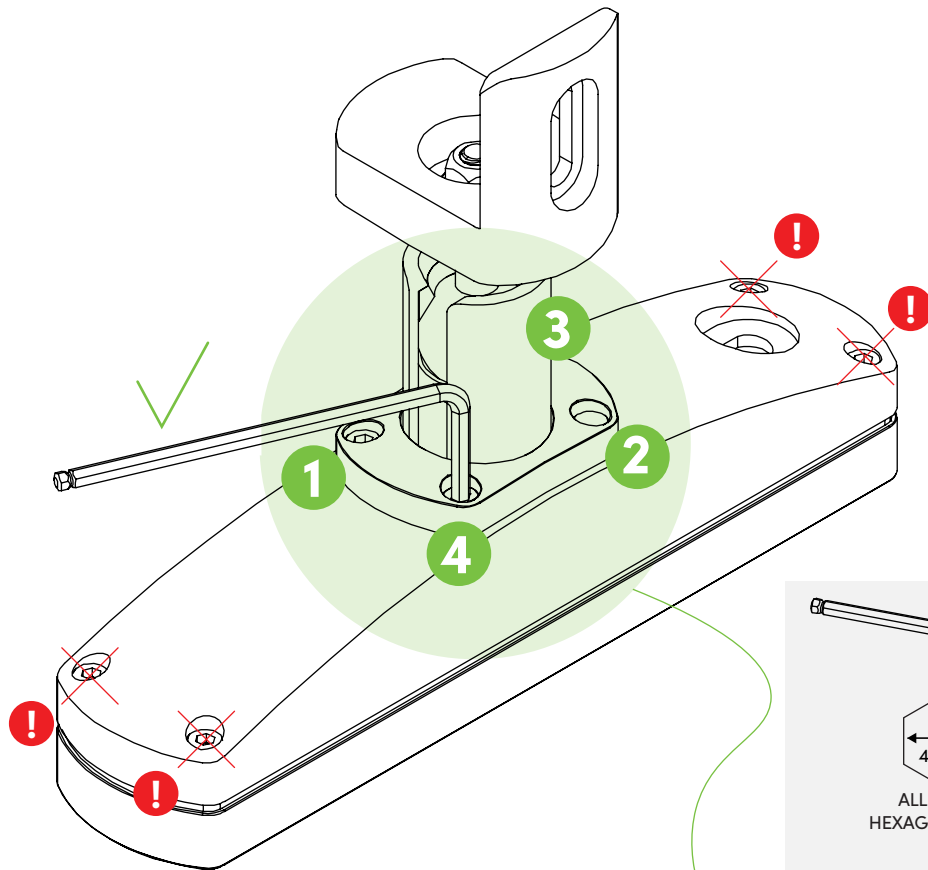
All dimensions in mm.

GENERAL SPECIFICATIONS

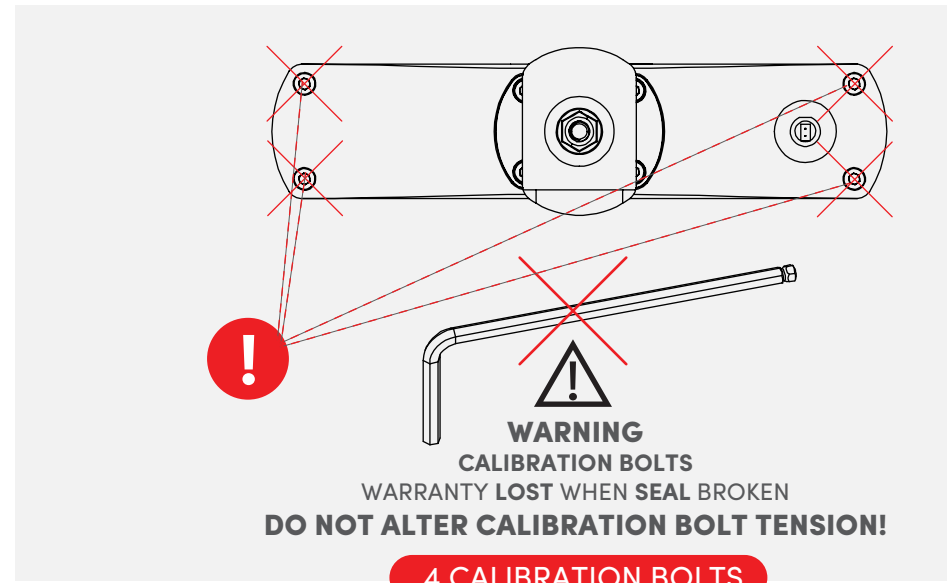
3D MEASUREMENT METHOD	STRUCTURED LIGHT
EXTERNAL LIGHTS	NOT NEEDED
IMAGE PROCESSING SPEED	30 fps
ACCURACY	< 3 mm
REPEATABILITY	< 1 mm
3D CAMERA WEIGHT W/O L-BRACKET	895 gr
3D CAMERA WEIGHT TOTAL	1030 gr
TEMPERATURE OPERATING CONDITIONS	+10°C / +35°C
INDUSTRIAL GRADE HUMIDITY QUALITY	IP55
3D CAMERA CONNECTION TO PC	USB3
PC CONNECTION TO ROBOT	ETHERNET TCP/IP
ROBOT LIBRARY	ABB, UR UNIVERSAL ROBOTS, STAUBLI, KUKA, FANUC, YASKAWA
CONFORMS TO	CE, FCC

BALL JOINT PIVOT (P)

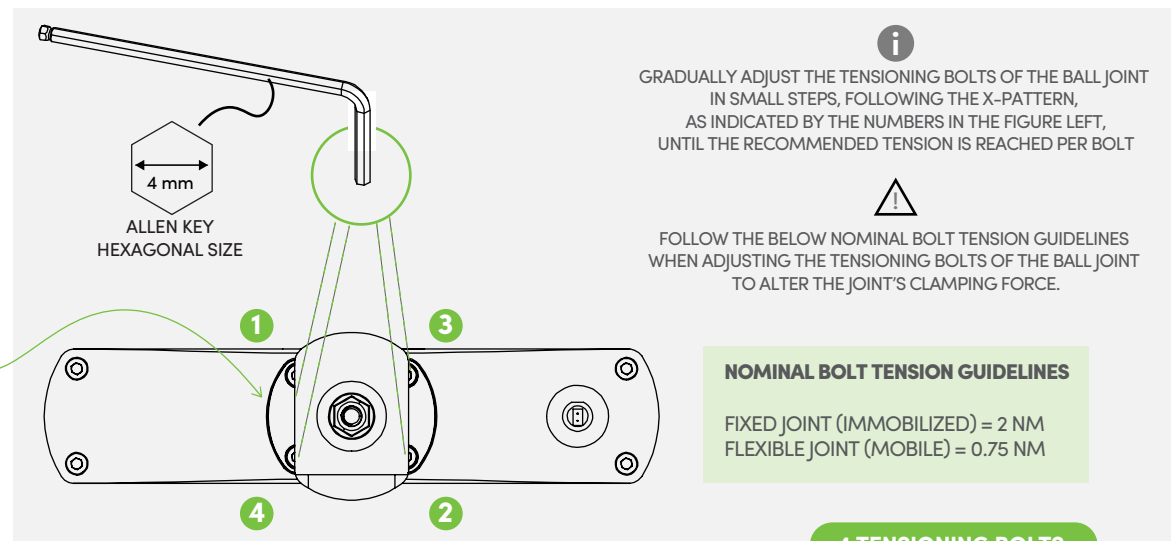




ADJUST THE 4 TENSIONING BOLTS AS INDICATED AT THE RIGHT TO ALTER THE BALL JOINT TIGHTNESS AND OBTAIN A FIXED JOINT OR A FLEXIBLE JOINT DEPENDING YOUR APPLICATION AND NEEDS.



4 CALIBRATION BOLTS

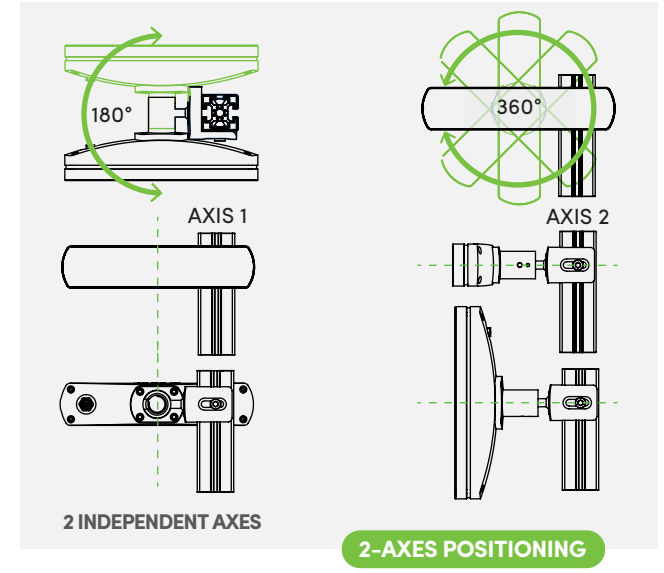
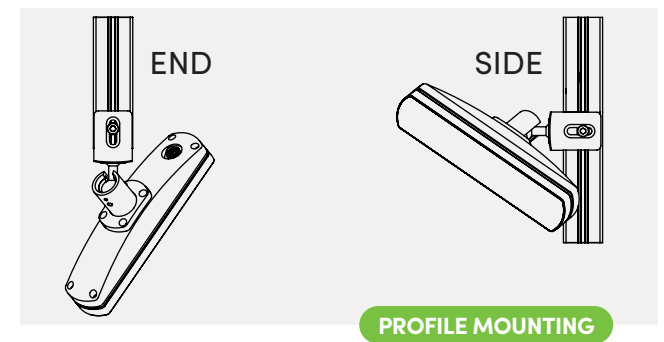
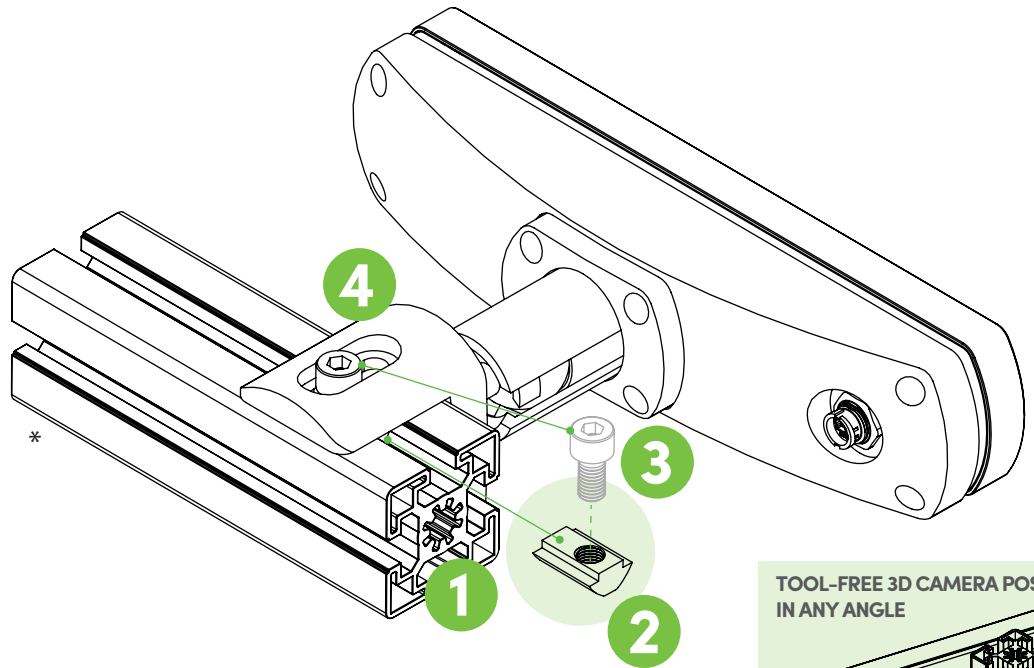
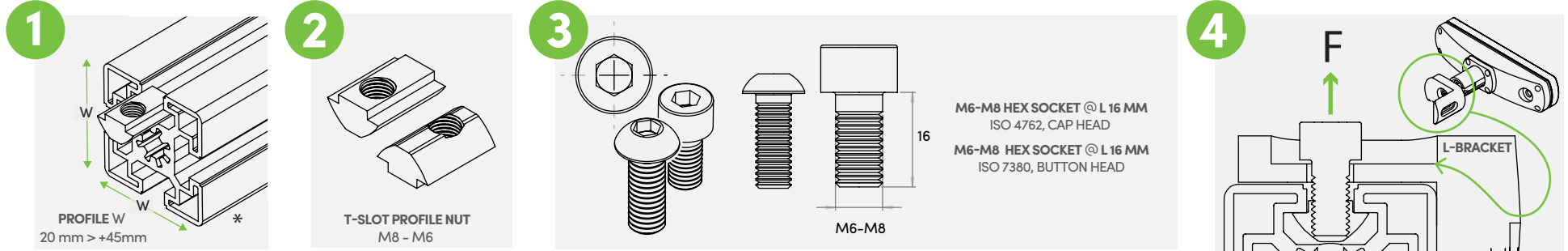


i GRADUALLY ADJUST THE TENSIONING BOLTS OF THE BALL JOINT IN SMALL STEPS, FOLLOWING THE X-PATTERN, AS INDICATED BY THE NUMBERS IN THE FIGURE LEFT, UNTIL THE RECOMMENDED TENSION IS REACHED PER BOLT

! FOLLOW THE BELOW NOMINAL BOLT TENSION GUIDELINES WHEN ADJUSTING THE TENSIONING BOLTS OF THE BALL JOINT TO ALTER THE JOINT'S CLAMPING FORCE.

NOMINAL BOLT TENSION GUIDELINES
 FIXED JOINT (IMMOBILIZED) = 2 NM
 FLEXIBLE JOINT (MOBILE) = 0.75 NM

4 TENSIONING BOLTS



* Profile type shown above is for illustrative purposes only. A wide range of profile types is supported by the L-bracket. Contact us for further info.

SOFTWARE SUPPORTS ON-ROBOT MOUNTING AND STATIONARY MOUNTING

